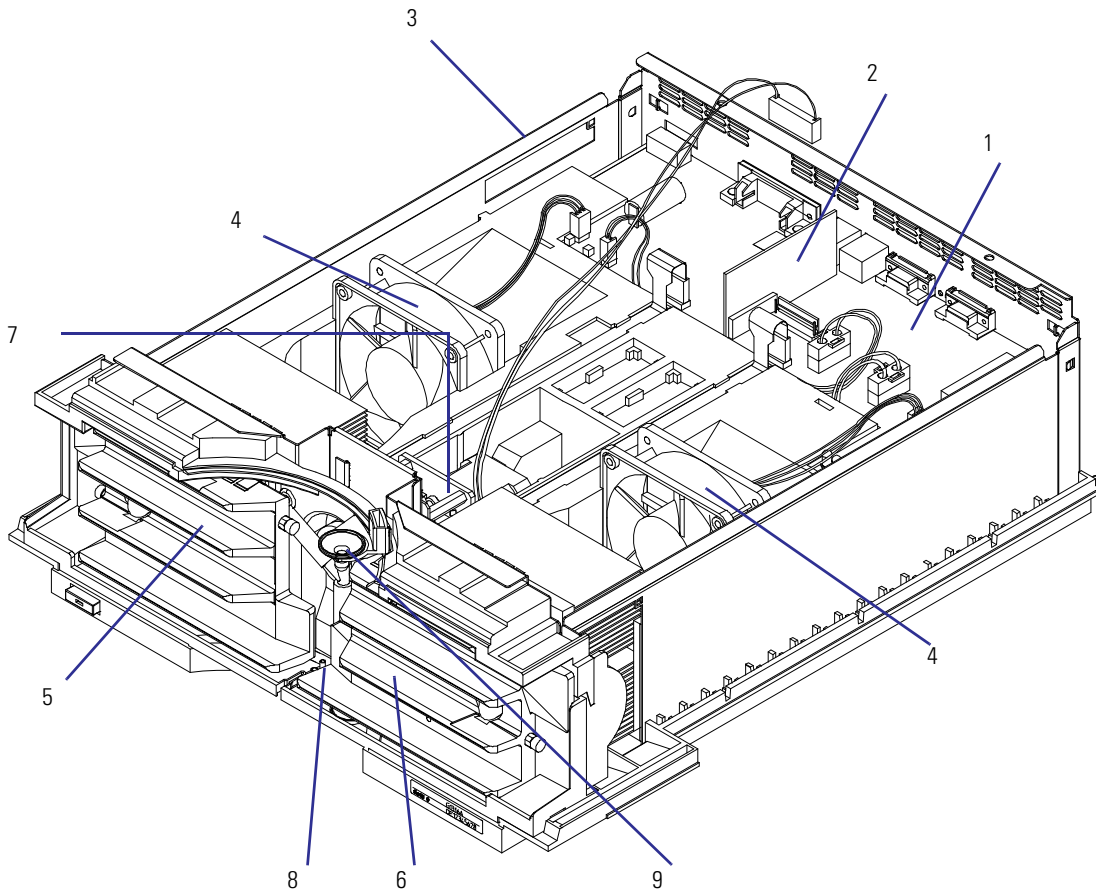

Thermostatted Column Compartment Main Assemblies

Figure 29 Overview on Main Assemblies



Identifying Parts and Materials
Overview of Main Assemblies

Table 6 **Main Assemblies**

Item	Description	HP Part Number
1	Column compartment main board CCM (exchange part)	G1316-69520
	Hexagonal nut for HP-IB connector	0380-0643
	Hexagonal nut for RS-232 connector	1251-7788
	Cable CAN to HP 1100 Series modules	5181-1516
2	Column identification board CID	G1316-66503
3	Power supply assembly, additional power and status light parts, see page 135	0950-2528
4	Fan assembly	3160-1017
5	Heater (left)	G1316-60007
6	Heater (right)	G1316-60006
7	Column switching valve (optional), additional column switching valve parts, see page 131	0101-0920
8	Leak sensor assembly	5061-3356
9	Leak handling parts	See page 136
	Low dispersion capillary (0.12 mm i.d., 70 mm)	G1316-87303
	Capillary Kit Column Switching , see page 131	G1316-68708
	Front cover and plastic parts (housing)	See page 133
	Sheet metal parts	See page 132
	Foam parts	See page 134